

Alternator Selection Guide

for Medium & Heavy-Duty Commercial Vehicles

SIDE BY SIDE COMPARISON

MODEL						
	24SI™	28SI™	36SI™	38SI™	40SI™	55SI™
Mounting Type Available	J180 Short Hinge, Pad Mount	J180 Short Hinge, J180 Long Hinge, Pad Mount	J180 Short Hinge, Pad Mount, Quad Mount	Pad Mount	J180 Short Hinge, J180 Long Hinge, Pad Mount	J180 Long Hinge, Standard 80MM Pad, 55SI Style 105MM Pad
Brush or Brushless	Brush Style	Brush Style	Brushless	Brushless	Brushless	Brushless
Remote Sense	No	Yes	Yes	Yes	Yes	Yes
Max Output	12V, 160 Amps 24V, 70 Amps	12V, 160 Amps 12V, 180 Amps 12V, 200 Amps 24V, 110 Amps	12V, 170 Amps 24V, 105 Amps	12V, 215 Amps	12V, 240 Amps 12V, 275 Amps 12V, 300 Amps 12V, 320 Amps 24V, 160 Amps	12V, 430 Amps 24V, 250 Amps 24V, 275 Amps
Output @ Idle	12V, 100 Amps 24V, 40 Amps	12V, 125 Amps 12V, 130 Amps 12V, 140 Amps 24V, 70 Amps	12V, 100 Amps 24V, 50 Amps	12V, 121 Amps	12V, 160 Amps 12V, 180 Amps 12V, 190 Amps 24V, 95 Amps	12V, 350 Amps 24V, 175 Amps 24V, 210 Amps
Peak Efficiency	12V, 62% 24V, 68%	12V, 68% 24V, 72%	12V, 68% 24V, 71%	72%	12V, 72% 24V, 78%	12V, 73% 24V, 80%
Temperature Rating	105°C/221°F	125°C/257°F	125°C/257°F	130°C/266°F	240 & 275 Amp: 125°C/257°F 300 & 320 Amp: 115°C/239°F	430 Amp: 93°C/200°F 250 Amp: 125°C/257°F 275 Amp: 110°C/230°F
Warranty	1 Year, Unlimited Miles	1 Year, Unlimited Miles 2 Years, Unlimited Miles (School Bus)	3 Years, 350K Miles		3 Years, Unlimited Miles	
Weight	16.9 lbs / 7.7 kg	18.7 lbs / 8.5 kg	25.4 lbs / 11.5 kg	30.4 lbs/13.8 kg	31 lbs/14.1 kg	43.2 lbs/19.6 kg
Length	213.7 mm	216 mm	263 mm	253.8 mm	252 mm	285.9 mm
Overall Diameter	150.0 mm	154 mm	171 mm	176.5 mm	176.5 mm	186.5 mm

delcoremy.com



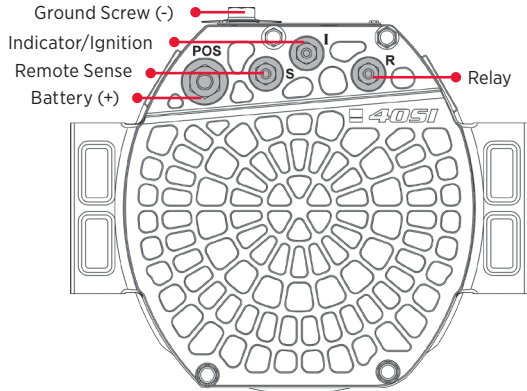
GENUINE PRODUCTS

Delco Remy is a registered trademark of General Motors Corporation licensed to BorgWarner PDS (Anderson) L.L.C. | C11127 | 6-19

AVAILABLE THROUGH:

KIRKS TRANSIT FLEET EQUIPMENT
YOUR PARTNER FOR PARTS SINCE 1946
800.321.5989 | **KIRKS.com**

ALTERNATOR CONNECTIONS



NOTE: When the Remote Sense terminal is not connected, the alternator operates and regulates voltage normally.

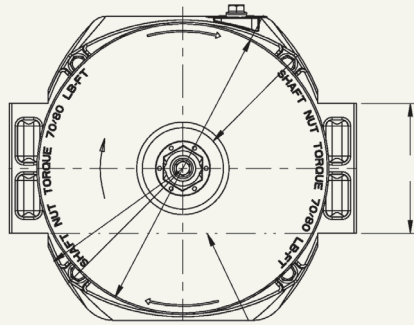


55SI

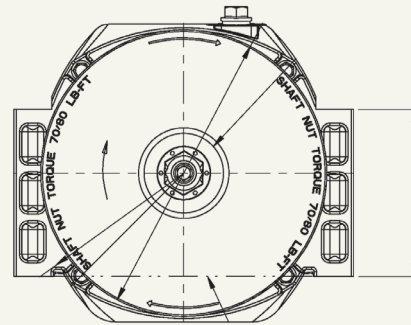
Available in the standard 80mm pad mount and the 105mm pad mount that provides additional clearance

OE Part #	Amps	Volts	All-Makes Part #	Mounting Type Available
8600529 8600629	430	12	61006079	105MM Long Pad Mount
8600581 8600635	250	24	61006080	
8600557	275		61006081	
8600580	275	61006081		
N/A	430	12	8600473	80MM Standard Pad Mount
8600453 8600483 8600737	250	24	61006082	
8600434	270		61006083	
8600480	275	61006083		
N/A	430	12	61003345	
61002316	275	24	8600564	J180 Hinge Mount

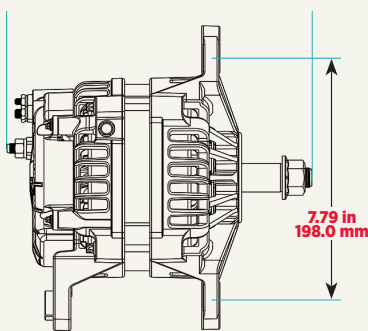
ALTERNATOR MOUNTING STYLES



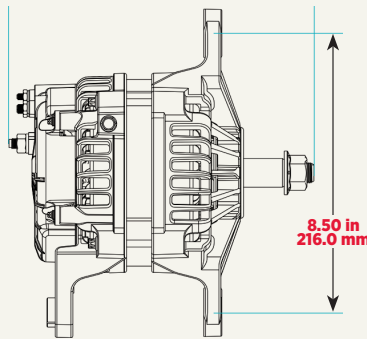
80MM PAD



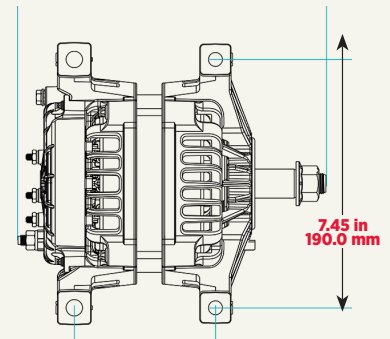
105MM PAD



J180 SHORT HINGE



J180 LONG HINGE



PAD MOUNT



13975 BorgWarner Drive
Noblesville, IN 46060 USA
For Customer Service or Technical Assistance call 1-800-372-3555

Delco Remy is a registered trademark of General Motors Corporation licensed to BorgWarner PDS (Anderson) L.L.C. | C11127 | 6-19

AVAILABLE THROUGH:

KIRKS TRANSIT FLEET EQUIPMENT

YOUR PARTNER FOR PARTS SINCE 1946

800.321.5989 | KIRKS.com

GENUINE PRODUCTS

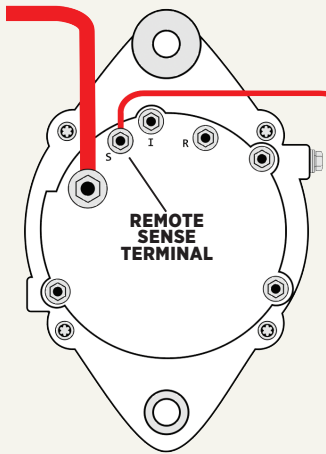
			GOOD		BETTER						BEST	
Mount Style	Volts	Regulator Type	24SI Brush Style	Output (Amps)	28SI Brush Style	Output (Amps)	36SI Brushless Upgrade	Output (Amps)	38SI Brushless Upgrade	Output (Amps)	40SI Brushless Upgrade	Output (Amps)
J-180 Short Hinge	12V	4-Pin Connector Plug	8600142 (NEW) 8700021 (REMAN)	160	8600426	200	N/A	N/A	N/A	N/A	N/A	N/A
		Terminal Studs	8600310 (NEW) 61010753 (REMAN) 61009227 (CORELESS REMAN)	160	8600312	160	8600126 (NEW) 8700046 (REMAN) 61011313 (CORELESS REMAN)	170	N/A	N/A	8600339	240
					8600223	180					8600279	275
	24V	4-Pin Connector Plug	8600017 (NEW) 8700019 (REMAN)	70	8600690	100	N/A	N/A	N/A	N/A	N/A	N/A
		Terminal Studs	8600388		8600467	110	8600496	105	N/A	N/A	61000853	160
	J-180 Long Hinge	12V	Terminal Studs	N/A	N/A	8600308	160	N/A	N/A	N/A	N/A	8600390
8600311						180	8600280					275
8600307						200	8600300					300
24V		Terminal Studs	N/A	N/A	8600468	110	N/A	N/A	N/A	N/A	N/A	
Pad	12V	Terminal Studs	8600889 (NEW) 61010752 (REMAN) 61009226 (CORELESS REMAN)	160	8600315	160	8600127 (NEW) 8700047 (REMAN) 61011312 (CORELESS REMAN)	170	8600707	215	8600338	240
					8600316	180					8600094	275
					8600314 (NEW) 8700088 (REMAN) 61009224 (CORELESS REMAN)	200					8600298	300
					8600628	320						
	4-Pin Connector Plug	8600143 (NEW) 8700013 (REMAN)	160	8600201 (NEW) 8700080 (REMAN) 61018105 (CORELESS REMAN)	160	N/A	N/A	N/A	N/A	N/A	N/A	N/A
				8600078	180							
				8600253 (NEW) 8700082 (REMAN) 61009624 (CORELESS REMAN)	200							
24V	Terminal Studs	8600471	70	8600469	110	8600497	105	N/A	N/A	8600668	160	
	4-Pin Connector Plug	8600016	70	8600690	100	N/A	N/A	N/A	N/A	N/A	N/A	



BRUSHLESS DURABILITY = IMPROVED FUEL EFFICIENCY

Increasing alternator efficiency can and will measurably reduce diesel fuel costs. Electrical power on a heavy duty truck is not free. It comes as a direct result of consuming fuel within the engine to drive the alternator.

High efficiency alternators translate to less engine horsepower requirements, resulting in substantial fuel savings for the fleet.



REMOTE SENSE

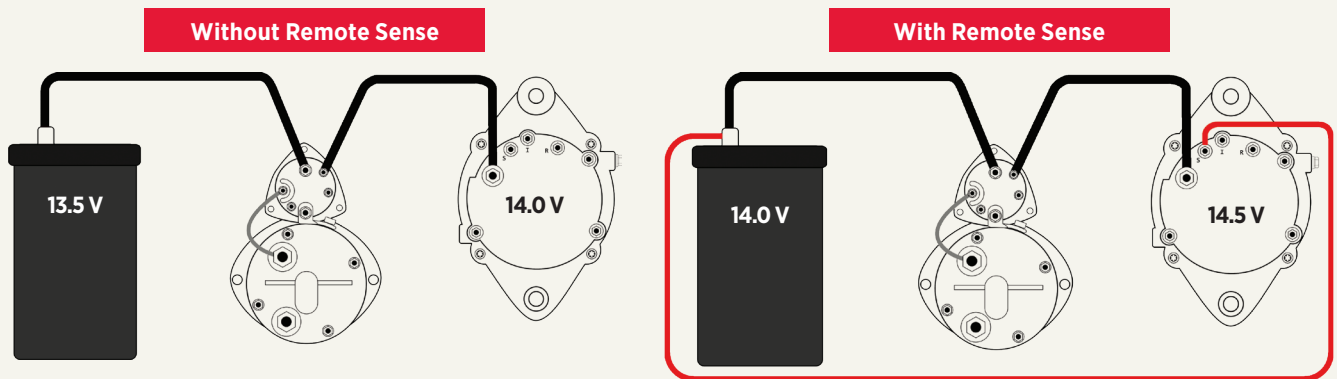
Reduce battery charge time by 50%

A major fleet reported to us that their Delco Remy alternators equipped with Remote Sense reduced battery charge time by 50% and decreased battery warranty claims by 30%.

Remote Sense utilizes a small wire that reads the actual voltage at the battery and signals the regulator to increase its voltage output to compensate for the change in voltage. This ensures a constant 14 volts at the battery.

Research has shown that an increase of just ½ volt, when needed, can cut the battery charge time in half. At the end of the day, it can make the difference between batteries that are fully charged and those that aren't.

The additional voltage forces the current into the battery faster, bringing it to a full state of charge in half the time.



delcoremy.com



GENUINE PRODUCTS



13975 BorgWarner Drive
Noblesville, IN 46060 USA
For Customer Service or Technical Assistance call 1-800-372-3555

Delco Remy is a registered trademark of General Motors Corporation licensed to BorgWarner PDS (Anderson) L.L.C. | C11127 | 6-19

AVAILABLE THROUGH:

KIRKS TRANSIT FLEET EQUIPMENT

YOUR PARTNER FOR PARTS SINCE 1946

800.321.5989 | KIRKS.com