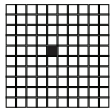
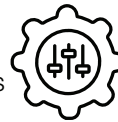


Partner With Bison® To...



Differentiate

... your bus, truck, off-road and rail equipment using the highest quality motors and pumps that provide heavy-duty, yet light weight and compact designs, CAN functionality, long life and much more.



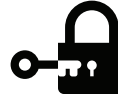
Customize

... your vehicles' air- and other fluid-moving solutions, working side by side Bison® engineers who know the dynamics of fluid and have hundreds of years of cumulative experience.



Save Time

... by running performance tests and rapid prototyping and more through a Bison® state-of-the-art engineering laboratory.



Gain Access

... to heavy-duty transportation pumps and motors that are Buy America Compliant.

Differentiate Your End Products With ROTRON® Pumps and Motors

- Brushless sealless pumps
- Brushless DC motors
- SAE J1939 CAN functionality
- Long life up to 60,000 hours
- Maintenance-free design



Bison® also manufactures a full line of brushless DC fans and impeller style blowers.

Helping Fleet Owners....



Reduce
Operational Costs



Eliminate
Downtime



Increase
Service Time,
Revenues & Profits

Our Engineers Can Customize Your Air- and Other Fluid-Moving Solutions to...

- Heat and cool interiors
- Cool electronics, batteries & drive motors
- De-ice entryways
- Defrost windows
- And so much more!



LEARN
MORE

KIRKS TRANSIT FLEET EQUIPMENT
YOUR PARTNER FOR PARTS SINCE 1946

800.321.5989
KIRKS.com

Sealless Pump with Brushless DC Motor

40,000 Hour Design Life

ROTRON®
Transportation

Operation Features

- 18-32 VDC voltage range
- -40 to 95°C operating fluid temperature
- -40 to 95°C storage temperature
- Weight 6.7 lb
- Over-temperature protection
- Soft start
- Current overload protection
- Over-voltage protection
- Under-voltage detection
- Locked-rotor protection
- Reverse polarity protection
- Transient voltage protection
- 40,000-hour design life for pump and motor

Pump

- Sealless design for life
- Pump electro-magnetically coupled
- Bronze/stainless-steel impeller
- Cast aluminum pump casing

Motor

- Efficient brushless DC motor
- Alumina ceramic and tungsten carbide bearing surfaces
- Environmentally sealed (IP67)

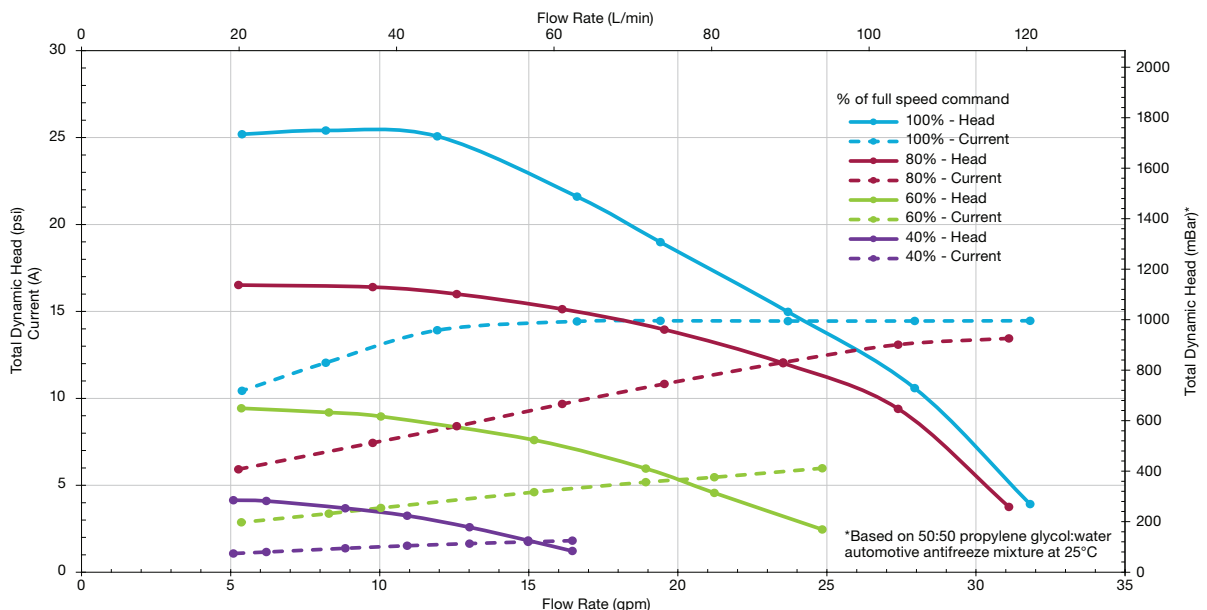
Options

- CAN communication (SAE J1939)
- Custom pump outlet discharge orientation
- Lead exit orientation
- PEEK bearings



Performance

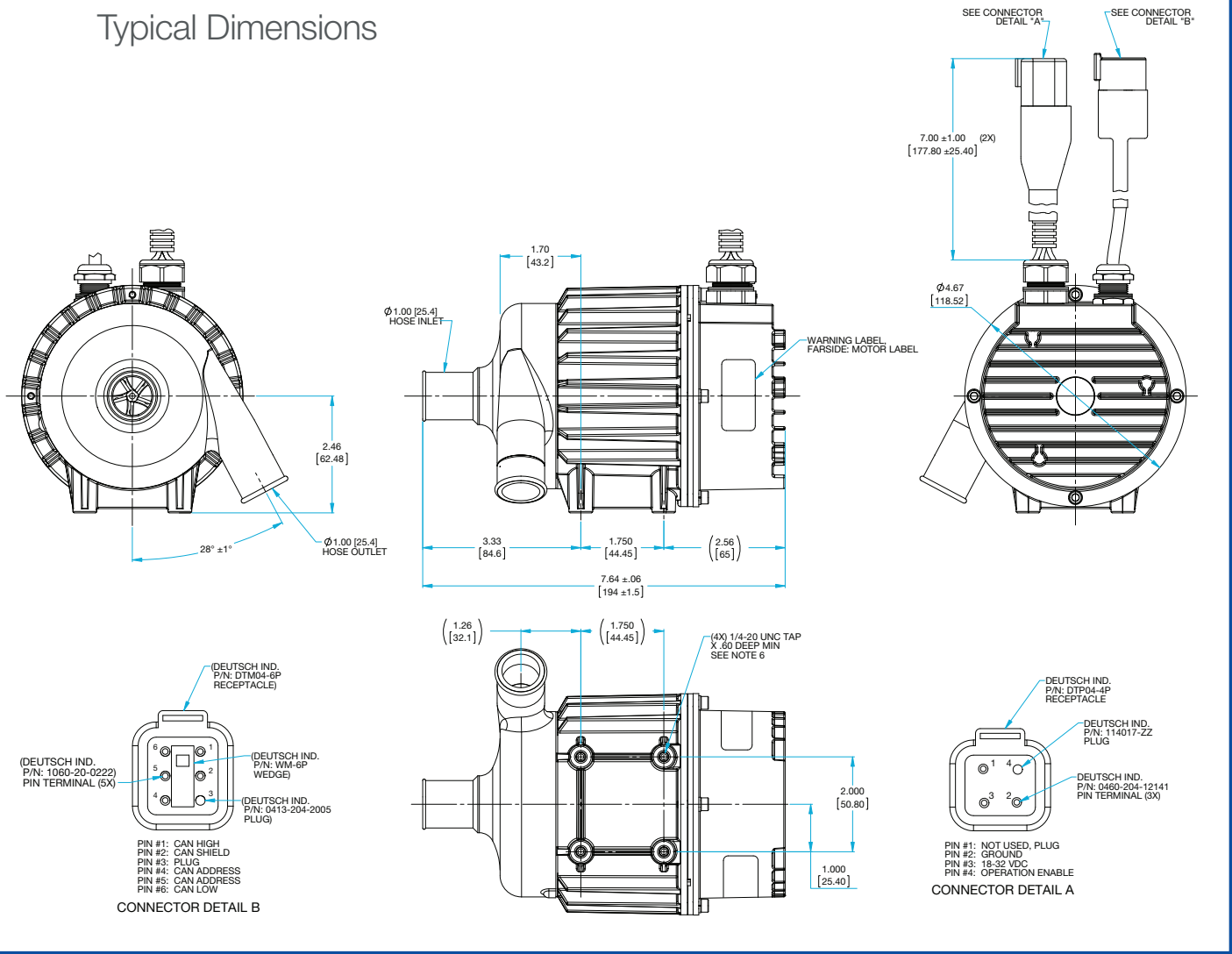
Speed control via J1939 CAN



Sealless Pump with Brushless DC Motor 40,000 Hour Design Life

ROTRON®
Transportation

Typical Dimensions



- Pin out configurations vary.

This document is for informational purposes only and should not be considered as a binding description of the products or their performance in all applications. Actual performance will vary depending on the operating environment and application.



LEARN
MORE

KIRKS TRANSIT
FLEET
EQUIPMENT
YOUR PARTNER FOR PARTS SINCE 1946

800.321.5989
KIRKS.com

100

About **Bison®**

For more than 100 years, Bison® has helped customers differentiate their products by developing robust, flexible and durable motors, blowers and pumps under the brand names - Bison® Gearmotors, Lamb®, Nautilair®, Prestolite Motors, ROTRON® Regenerative Blowers, ROTRON® Transportation and Windjammer®.

Bison® engineers thrive on technical challenges and provide customers collaborative, customizable and optimized fluid-moving, fractional and integral horsepower solutions. Bison® has worldwide sales representative support, research facilities and manufacturing facilities in the United States, China and Mexico. The company is headquartered in Kent, Ohio.

Bison® is a business of AMETEK, Inc. — a leading global provider of industrial technology solutions serving a diverse set of attractive niche markets with annual sales over \$6.0 billion.

About **ROTRON® Transportation Pumps and Motors**

75

For more than 75 years, Bison® has designed and manufactured **ROTRON®** brushless sealless pumps and brushless DC motors for heavy-duty transportation OEMs building trucks, buses, locomotives, light rail equipment, off-road vehicles and more.

Our ROTRON® transportation products offer long life up to 60,000 hours, CAN J1939 functionality and maintenance-free designs. The fluid-moving technologies can be customized to OEM specs and are **Buy America Compliant**.



© 2023 AMETEK, Inc. All rights reserved.



800.321.5989
KIRKS.com